



Gravity Chair

Gravity Positioning System for stability and relaxation therapy

Basic configuration

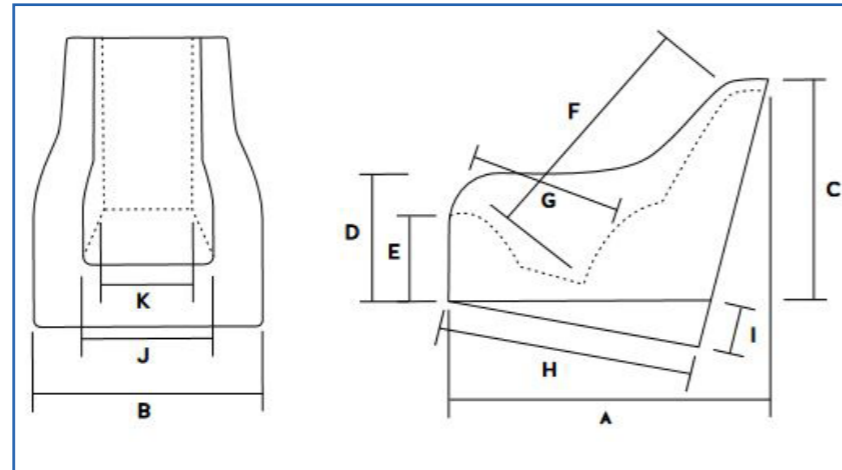
- Foam positioning system with washable PU leather cover on request with breathable spacer fabric
- Positioning and function triangle mat
- Inlay to improve the microclimate, moisture-retardant
- Seat depth spacer
- Head rest
- Bag, Velcro connected
- Hip belt

Accessories

- Therapy table, Velcro connected
- Side filler pads, Velcro connected
- Depth adjustment liner
- Ottoman
- Abduction wedge (pommel)
- Incontinence receiver
- Rocking chair (optionally with wheels)

Color

- beige-grey
- Inlay black or blue
- Cover available in other colours on request



Data

The user dimensions determine the size of the Gravity Chair. Stronger support is achieved by starting from slightly smaller dimensions than the user dimensions. In case of doubt, a fitting should be made

Size		S	M	L	LL	LLW
	Body height (cm)	90-110	110-130	130-150	150-170	150-170
A	Length total	60	71	82	91	91
B	Width total	46	49	57	60	71
C	Height total	55	61	67	72	72
D	Height armrest	29	35	39	43	43
E	Knee height	20	23	26	29	29
F	Back height	60	69	74	81	81
G	Seat depth	24	30	38	43	43
H	Length triangle mat	47	57	67	74	74
I	Height triangle mat	10	12	14	17	17
J	Seat width front	28	30	37	39	50
K	Seat width back	21	23	27	30	41
	Weight (seat) in kg	ca. 4,3	ca. 5,8	ca. 7,9	ca. 9,8	ca. 11,2

Individual adjustments according to patient measurements						
	Body height (cm)	90-110	110-130	130-150	150-170	150-170
A	Length total	60-65	71-76	82-87	91-96	91-96
E	Knee height	20-25	23-28	26-31	29-34	29-34
G	Seat depth	21-29	27-35	35-43	41-48	41-48
J	Seat width front	22-28	24-30	29-37	29-39	40-50
K	Seat width back	15-20	17-23	19-27	20-30	30-41

The Gravity Chair looks like a simple armchair. But it is much more. It is a support system that is made of foam and therefore adapts very well to the body. The user's center of gravity is low, which makes the sitting position more stable. It also becomes more stable due to the close body support on the left and right and the high armrests. The position of the armrests raises the arms, and this gives the chest more freedom to breathe: after just a few minutes, blood tests can show a higher oxygen content in the blood.

The position of the head and the upper can be stabilized very easy by the triangle mat. In the case of severe scoliosis, the wedge can also be pushed under from the side, bringing the upper body into an upright position and often provoking an active body reaction into the opposite side.

Application area

Many years of experience with the Gravity Chair have shown that the use of gravity in combination with good lateral support has many advantages:

- Patients who can otherwise only be placed in a shell can be slowly brought to a sitting position in the Gravity Chair, so that meals can be taken there, for example.
- When spasms occur, the Gravity Chair reacts in a yielding manner and allows the spasm to occur. But as soon as this subsides, gravity and the Gravity Chair guide the user back to his starting position.
- Patients with ADHD get close body contact in the Gravity Chair, which raises the self-perception and environment perception. This again helps



the user to calm down and supports self-discovery. In ergo and logopedic therapy, the Gravity Chair can therefore create the optimal starting position for individual support.

- Individual seat shells or therapy seating systems guide the patient very precisely into an optimal sitting position. However, this usually happens with a certain amount of tension. Here, the Gravity Chair can give the patient variety according to the principle of "tension and relaxation", which on the one hand reduces the monotony of always sitting in the same position, but on the other hand serves the therapeutic goal through the stable positioning. Last but not

least, this ability of the Gravity Chair is also the optimal solution, for example, when repositioning the patient, who is otherwise lying in bed or on the floor in his or her predetermined body malposition.

- When used in the home as well as in day care facilities, it can be used everywhere due to its low weight. As a positioning alternative, for integration when playing with other people on the floor or also as a seat in a handcart or buggy.
- With washable PU leather all around or PU leather on the outside and well-ventilated spacer fabric in the seat area.

Sizes and options



Size S
with PU leather all around and blue inlay



Size M
with PU leather all around and black inlay



Size L
with PU leather outside and spacer fabric inside



Size LL with therapy table



Size LLW with triangle mat



Size LL Incontinence-Inlay

Possibilities to tilt in space



... Individual adaptations



Side filler pads, Laterally velcroable
The seat width can be adjusted by attaching it to the inner wall of the chair. The thickness is 30 mm and the inner padding consists of three 10 mm thick panels so that it can be adjusted in 10 mm increments on each side.



Depth adjustment liner
The height of the seat and the depth of the backrest can be adjusted to the physique of the occupant. Used under the insert cushion (inlay).



...with abduction wedge (pommel)



...on rocking chair with wheels



with ottoman



Seat depth spacer
under the inlay allows the seat height to be adjusted



PU leather cover
Water-repellent surface treatment makes care of the cover easy



Belt holder
the strap ends can be hooked onto the edge of the armrests to facilitate insertion.



Abduction wedge (pommel)
Easily removable so that it does not hinder the patient when sitting up and down



Ottoman
It assists in throwing out the legs and allows for a more relaxed posture.



Incontinence receiver
Prevents soiling and wetting of the chair body and seat liner from incontinence and spills.